

**Poindus**  
COMPAL GROUP

# VariPOS/PPC

The POS System of Forward Thinking





## Features

### Panel PC Available

Available counter POS, Pole or VESA Mount for multiple scenario Seamless Service with Modular Design.

### Environmental Resistance & Durability

Shockproof, Waterproof, and dustproof on front panel (IP66), sustainable alcohol cleaning.

### Powered by Intel

Intel® J6412 Processor  
Intel® Alder Lake i3/i5 Processor



## Advanced Touch Technology

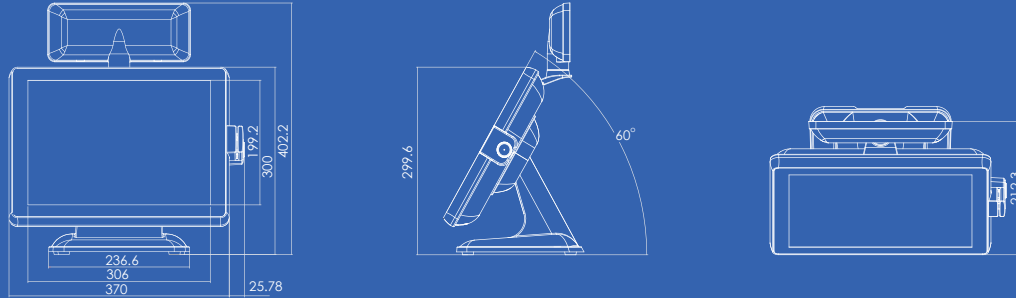
15" or 19" True Flat P-Cap  
LCD Touch Screen (LED backlight)

## Colorful IO Covers

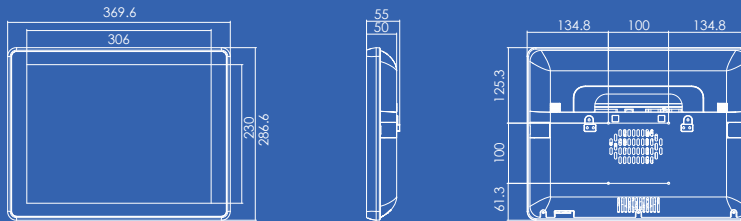
Colorful chassis suit any business  
environments (for 15" only)

# Dimensions

## VariPOS 750 / 850



## VariPPC 750 / 850



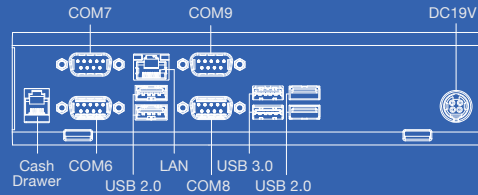
## VariPOS / PPC 750 Elkhart Lake (PE24)

## VariPOS / PPC 850 Alder Lake-P (PE26)

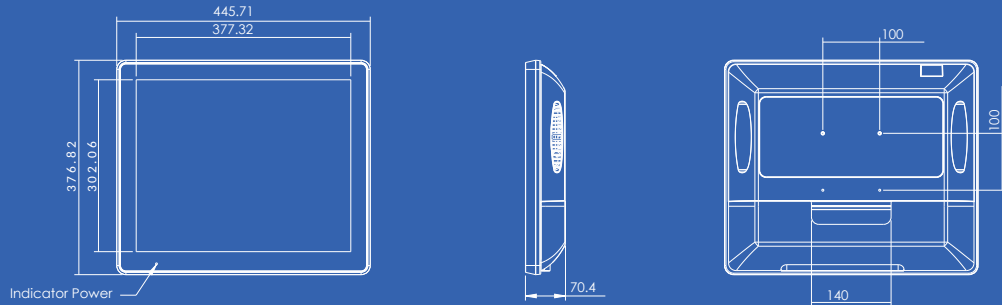


- |               |              |           |
|---------------|--------------|-----------|
| 1 COM3        | 5 COM2       | 9 USB 3.0 |
| 2 LAN         | 6 COM1       | 10 DC 19V |
| 3 USB 3.0     | 7 USB 2.0    | 11 VGA    |
| 4 Cash Drawer | 8 USB Type C |           |

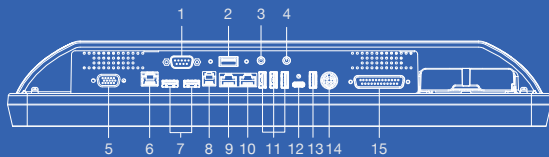
## VarIO I/O Box (PE19)



## VariPPC 890

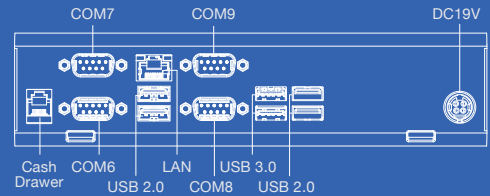


## VariPPC 890 Alder Lake-P (PE26)



- |               |                |             |
|---------------|----------------|-------------|
| 1. COM3       | 6. LAN         | 11. USB 2.0 |
| 2. USB 2.0    | 7. USB 3.0     | 12. Type C  |
| 3. Microphone | 8. Cash Drawer | 13. USB 3.0 |
| 4. Speaker    | 9. COM2        | 14. DC19V   |
| 5. VGA        | 10. COM1       | 15. Printer |

## VariIO I/O Box (PE19)



# Detailed Features

- Full range of CPU from intel® Celeron J6412 to high end computing 12th Gen Alder Lake i3/ i5.
- 15” or 19” True Flat P-Cap Touch Screen.
- HDD or optional SSD storage.
- Extensive peripheral connectivity – MSR, iButton, SCR, Fingerprint, RFID, Scanner, 10.4” 2nd Display, VFD.
- Stylish & durable Aluminum chassis with fanless heat elimination.
- Modular design to satisfy multi-scenario requirements.
- 8 colorful IO covers to suit any business environments.



# Ordering Information

## VariPOS™ / PPC 750

PE24

- Celeron J6412 | Intel® Elkhart Lake Celeron®J6412 2.60 GHz CPU

## VariPOS™ / PPC 850

PE26

- i5-1235U | Intel® Alder Lake-P Platform i5-1235U 1.3GHz up to 4.4 GHz
- i3-1215U | Intel® Alder Lake-P Platform i3-1215U 1.2GHz up to 4.4GHz



Multi-touch Screen



Waterproof - IP66 on front panel



Various Colors ● ● ● ● ● ● ● ○



Panel PC (VESA) Mountable Available



# VariPPC 890

PE26

- i5-1235U
- i3-1215U

Intel® Alder Lake-P Platform i5-1235U 1.3GHz up to 4.4 GHz

Intel® Alder Lake-P Platform i3-1215U 1.2GHz up to 4.4GHz



Multi-touch Screen



Waterproof - IP66 on front panel



Colors Selection ● ○



VESA Mountable Available





# Peripheral Products



**VariPOS 10.4" 2nd Display**

10.4" 2nd display up or down  
mounted available



**VariPOS VFD**

VFD up or down  
mounted available



**VariPOS Scanner**



**VariPOS MSR/ iButton/  
RFID/ Fingerprint/ SCR**

# Specification

<b>Model Name</b>		• <b>VariPOS / PPC 750 (PE24)</b>
<b>Main Board</b>	Processor	Intel® Celeron® J6412
	Chipset	CPU Integrated
	System Memory	1 x SO-DIMM DDR4 slot, 4GB RAM as standard. Max. memory support up to 16GB
	TPM	Intel F/W
<b>Display &amp; Touch</b>	LCD Size	15" TFT LCD (LED backlight)
	Brightness	350nits
	Resolution	1024 x 768
	Touch	True Flat Projected Capacitive Technology
<b>Storage</b>	HDD/SSD	1 x SATA III (2.5") or M.2 Storage
<b>Panel I/O</b>	LAN Port	1 x Gigabit Ethernet by RJ-45
	USB Port	3 x USB 2.0, 3 x USB 3.1
	Speaker	HD Audio, 2W Speaker x 2
	Power Switch	1 x power on/off button
	COM Port	3 x COM
	Cash Drawer	1 x RJ11 (Support DC+12v or +24v (default)) port supports 2 cash drawers
	DC Input	1 x Mini Din 4P (DC+19v only)
	VGA	1 x VGA
	Type C	1 x Type C (PD+DP)
<b>VariI/O Box &amp; Expansion (Optional)</b>	Cash Drawer	1 x RJ-11 (Support DC +12V or +24V (default)) port supports 2 cash drawers
	LAN Port	1 x Gigabit Ethernet by RJ-45
	USB Port	2 x USB 3.0; 4 x USB 2.0
	Powered USB Port (Project Based)	2 x DC+12v Powered USB 1 x DC+24v Powered USB
	COM Port	4 x RS-232 (jumper setting, support DC+0/5/12v, default setting is 0v)
	Type C	1 x Type C
<b>OS Support</b>		Windows 10 (64bit) / Windows 11 (64bit)
<b>Power Adapter</b>		External adapter, DC Model : 65 Watts, Voltage:+19VDC 3.42 Amax
<b>Compliance</b>	Certifications	CE, FCC, LVD, RoHS
	Protection	IP66 on front panel
<b>VESA Mount</b>		100mm x 100mm VESA
<b>Material</b>		Main Unit: Die-Cast Aluminum ; I/O Cover: Plastic
<b>Color</b>		Main Unit: Black

<b>Model Name</b>		<ul style="list-style-type: none"> <li>VariPOS / PPC 850 (PE26)</li> </ul>
<b>Main Board</b>	Processor	Intel® Alder Lake-P Platform i5-1235U Intel® Alder Lake-P Platform i3-1215U
	Chipset	CPU Integrated
	System Memory	1 x 8GB DDR5 SO-DIMM memory (Max. support up to 32GB)
	TPM	Intel F/W
	Intel AMT	i5 only
<b>Display &amp; Touch</b>	LCD Size	15" TFT LCD (LED backlight)
	Brightness	350nits
	Resolution	1024 x 768
	Touch	True Flat Projected Capacitive Technology
<b>Storage</b>	HDD/SSD	1 x SATA III (2.5") or M.2 Storage (Option)
<b>Panel I/O</b>	LAN Port	1 x Gigabit Ethernet by RJ-45
	USB Port	3 x USB 2.0, 3 x USB 3.1
	Speaker	HD Audio, 2W Speaker x 2
	Power Switch	1 x power on/off button
	COM Port	3 x COM
	Cash Drawer	1 x RJ11 (Support DC+12v or +24v (default)) port supports 2 cash drawers
	DC Input	1 x Mini Din 4P (DC+19v only)
	VGA	1 x VGA
	Type C	1 x Type C (PD+DP)
<b>VariIO I/O Box &amp; Expansion (Optional)</b>	Cash Drawer	1 x RJ-11 (Support DC +12V or +24V (default)) port supports 2 cash drawers
	LAN Port	1 x Gigabit Ethernet by RJ-45
	USB Port	2 x USB 3.0; 4 x USB 2.0
	Powered USB Port (Project Based)	2 x DC+12v Powered USB 1 x DC+24v Powered USB
	COM Port	4 x RS-232 (jumper setting, support DC+0/5/12v, default setting is 0v)
	Type C	1 x Type C
<b>OS Support</b>		Windows 10 (64bit) / Windows 11 (64bit)
<b>Power Adapter</b>		Voltage:+19VDC, Std. 90 watt *PUSB will use 180 watt adapter
<b>Compliance</b>	Certifications	CE, FCC, LVD, RoHS
	Protection	IP66 on front panel
<b>VESA Mount</b>		100mm x 100mm VESA
<b>Material</b>		Main Unit: Die-Cast Aluminum ; I/O Cover: Plastic
<b>Color</b>		Main Unit: Black

<b>Model Name</b>		• <b>VariPOS / PPC 750 (PE24)</b>
<b>Dimension (W x H x D)</b>		370 x 300 x 236 mm ( POS ) / 370 x 287 x 55 mm ( PPC )
<b>Weight</b>		7 kg ( POS ) / 5.7 kg ( PPC )
<b>Environmental</b>	Operating Condition	0°C ~ 40°C, 10% ~ 90% RH, non-condensing
	Storage Condition	-20°C ~ 60°C, 10% ~ 90% RH, non-condensing
<b>Optional Accessories</b>	VFD	2 x 20 attached
	MSR	USB Type
	iButton	USB Type
	SCR	USB Type
	Finger Print	USB Type
	RFID	USB Type, 13.56 MHZ
	Scanner	2D Scanner, USB Type
	2nd Display	10.4" Resolution 800 x 600
<b>Carton</b>		L 404 x W 304 x H 505 mm ( POS ) / L 400 x W 170 x H 530 mm ( PPC )

<b>Model Name</b>		• <b>VariPOS / PPC 850 (PE26)</b>
<b>Dimension (W x H x D)</b>		370 x 300 x 236 mm ( POS ) / 370 x 287 x 55 mm ( PPC )
<b>Weight</b>		7 kg ( POS ) / 5.7 kg ( PPC )
<b>Environmental</b>	Operating Condition	0°C ~ 40°C, 10% ~ 90% RH, non-condensing
	Storage Condition	-20°C ~ 60°C, 10% ~ 90% RH, non-condensing
<b>Optional Accessories</b>	VFD	2 x 20 attached
	MSR	USB Type
	iButton	USB Type
	SCR	USB Type
	Finger Print	USB Type
	RFID	USB Type, 13.56 MHZ
	Scanner	2D Scanner, USB Type
	2nd Display	10.4" Resolution 800 x 600
<b>Carton</b>		L 404 x W 304 x H 505 mm ( POS ) / L 400 x W 170 x H 530 mm ( PPC )

<b>Model Name</b>		<ul style="list-style-type: none"> <li><b>VariPPC 890 (PE26)</b></li> </ul>
<b>Main Board</b>	Processor	Intel® Alder Lake-P Platform i5-1235U Intel® Alder Lake-P Platform i3-1215U
	Chipset	CPU Integrated
	System Memory	1 x 8GB DDR5 SO-DIMM memory (Max. support up to 32GB)
	TPM	Intel F/W
	Intel AMT	i5 only
<b>Display &amp; Touch</b>	LCD Size	19" TFT LCD (LED backlight)
	Brightness	350nits
	Resolution	1280 x 1024
	Touch	True Flat Projected Capacitive Technology
<b>Storage</b>	HDD/SSD	1 x SATA III (2.5") or M.2 Storage (Option)
<b>Panel I/O</b>	LAN Port	1 x Gigabit Ethernet by RJ-45
	USB Port	3 x USB 2.0, 3 x USB 3.1
	Speaker	HD Audio, 2W Speaker x 2
	Power Switch	1 x power on/off button
	COM Port	3 x COM
	Cash Drawer	1 x RJ11 (Support DC+12v or +24v (default)) port supports 2 cash drawers
	DC Input	1 x Mini Din 4P (DC+19v only)
	VGA	1 x VGA
<b>VariI/O Box &amp; Expansion (Optional)</b>	Type C	1 x Type C (PD+DP)
	Cash Drawer	1 x RJ-11 (Support DC +12V or +24V (default)) port supports 2 cash drawers
	LAN Port	1 x Gigabit Ethernet by RJ-45
	USB Port	2 x USB 3.0; 4 x USB 2.0
	Powered USB Port (Project Based)	2 x DC+12v Powered USB 1 x DC+24v Powered USB
	COM Port	4 x RS-232 (jumper setting, support DC+0/5/12v, default setting is 0v)
<b>OS Support</b>	Type C	1 x Type C
	Windows 10 (64bit) / Windows 11 (64bit)	
<b>Power Adapter</b>		Voltage:+19VDC, Std. 90 watt *PUSB will use 180 watt adapter
<b>Compliance</b>	Certifications	CE, FCC, LVD, RoHS & Medical Certificates ( CE: EN60601-1-2, FCC: Part 18, LVD: EN60601-1 )
	Protection	IP66 on front panel
<b>VESA Mount</b>		100mm x 100mm VESA
<b>Material</b>		Main Unit: Die-Cast Aluminum ; I/O Cover: Plastic
<b>Color</b>		Main Unit: Black
<b>Dimension( W x H x D )</b>		446 x 377 x 70.4 mm
<b>Weight</b>		7.3 kg
<b>Environmental</b>	Operating Condition	0°C ~ 40°C, 10% ~ 90% RH, non-condensing
	Storage Condition	-20°C ~ 60°C, 10% ~ 90% RH, non-condensing
<b>Carton</b>		L 578 x W 188 x H 565 mm



**Poindus Systems Corp. Headquarters | [www.poindus.com](http://www.poindus.com)**

5F, No.59, Ln. 77, Xing-Ai Rd., Neihu Dist., Taipei City 114, Taiwan. R.O.C

☎ + 886 27721 4688

📠 + 886 27721 2289

✉ [sales@poindus.com](mailto:sales@poindus.com)

### **Germany**

ADASYS GmbH Elektronische Komponenten  
Max-Planck-Str. 10 70806 Kornwestheim

☎ + 49 7154 83000

📠 + 49 7154 8300 599

✉ [info@adasys.de](mailto:info@adasys.de)

### **UK**

3 Devonshire Business Park, Basingstoke,  
Hampshire, RG21 6XN, UK

☎ +44 (0)1256 331 336

✉ [puk@poindus.com](mailto:puk@poindus.com)

### **Spain/Portugal**

C/ Los Sueños 14, Polígono Industrial Santa Cruz  
29004 Málaga-Spain

☎ +34 956 108 777

✉ [info@poindus.es](mailto:info@poindus.es)