

Poindus
COMPAL GROUP

VariPOS

Take Your
Store Experience
to The Next Level

250 i / 270 i



Features



Patented Double Hinge & Dual Base Mounting Points Connect with Customers at Any Angle

Patented swivel arm with flexible height/tilt adjustment for 2nd display and dual (left/right) base mounting points for another 2nd display, LCM, or pin pad bracket.



High Speed Custom USB Type C Connector Redefining Service

The VariIO I/O Box module connects all your devices through a single high speed custom USB Type C connector maintaining high I/O transfer rates and easy for quick service.

Ordering Information

VariPOS 250i/270i (with VariIO I/O Box)

PE17

- VariPOS 250i/270i i5-7300U
- VariPOS 250i/270i i3-6100U
- VariPOS 250i/270i Celeron 3955U

Intel® Kaby Lake Core™ i5-7300U CPU up to 3.5 GHz

Intel® Skylake Core™ i3-6100U 2.3 GHz CPU

Intel® Skylake Celeron® 3955U 2.0 GHz CPU



Multi-touch Screen



Waterproof - IP66 on Front Panel



Quick & Easy Maintenance



Detailed Features

- Intel 6th Generation Celeron i3, i5 high-end processors in a fanless structure
- True flat 15" 4:3 LCD, 400 nits / 17" 5:4 LCD, 400 nits (LED backlight) with IP66 protection.
- Patented swivel arm with height adjustment & tilt-angle 2nd screen, mountable at either right or left side of base
- Panel PC configuration available
- High speed custom Type C connector for customizable VariIO I/O Box to meet project specification.
- 1 x 24V, 2 x 12V Powered USB for retail peripherals (VariIO I/O Box)
- Quick SWAP design VariIO I/O Box for easy maintenance.
- Peripheral compatibility across the whole VariPOS 2xx series: LCM, 10.1" 2nd display with patented double hinge, MSR, iButton, Fingerprint, RFID, Scanner.

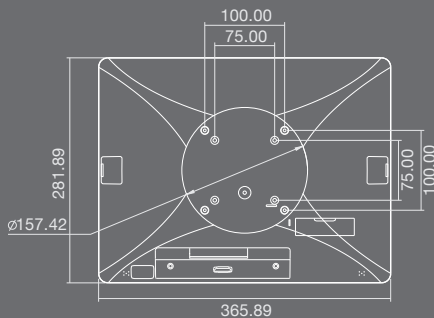
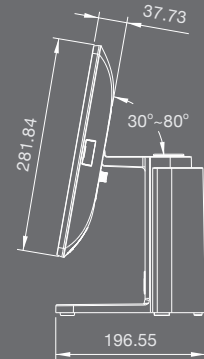
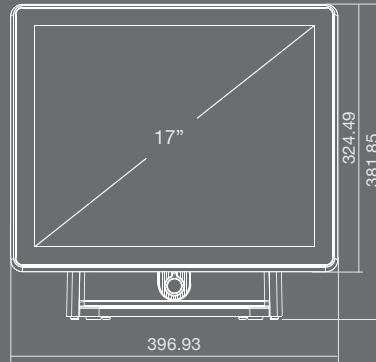
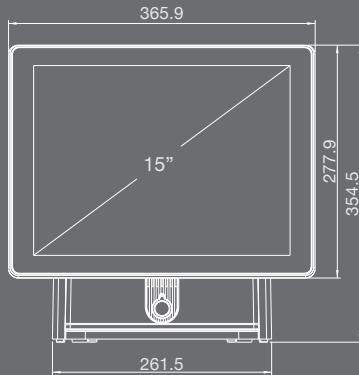
Specification

Model Name		• VariPOS 250i / 270i
Main Board	Processor	Intel® Core™ i5-7300U Processor Intel® Core™ i3-6100U Processor Intel® Celeron® Processor 3955U
	Chipset	CPU Integrated
	System Memory	1 x SO-DIMM DDR4 slot, 4GB RAM as standard. Max. memory support up to 16GB. Easy access with secured cover for easy maintenance.
	TPM	Intel F/W
	Intel AMT	Only i5 CPU
Display & Touch	LCD Size	15" - 4:3 / 17" - 5:4 TFT LCD (LED backlight)
	Brightness	15" / 17" - 400 nits
	Resolution	15" - 1024 x 768 (4:3) / 17" - 1280 x 1024 (5:4)
	Touch	True Flat Projected Capacitive Technology
Storage	HDD/SSD	1 x SATA II (2.5")
Panel I/O	LAN Port	1 x Mini Din 4P (DC +19V only)
	USB Port	2 x USB 3.0
	Speaker	HD Audio, 2W Speaker x 2
	Power Switch	1 x power on/off button
VariIO I/O Box	Cash Drawer	1 x RJ-11 (Support DC +12V or +24V (default)) port supports 2 cash drawers
	LAN port	1 x Gigabit Ethernet by RJ-45
	USB port	2 x USB 3.0 4 x USB 2.0
	Powered USB Port (Option)	2 x DC+12v Powered USB 1 x DC+24v Powered USB
	COM port	4 x RS-232 (jumper setting, support DC+0/5/12v, default setting is 0v)
OS Support		Windows 10 2016 IOT (64bit) / Windows 7 (32bit / 64bit) (Intel® Kabylake Core™ i5-7300U supports Win 10 64bit)
Power Adapter (External adapter)		External adapter, DC Model : Voltage:+19VDC, Std. 180watt (*VariIO PUSB) External adapter, DC Model : Voltage:+19VDC, Std. 90watt (*VariPOS 250i/270i ; VariIO Non PUSB)
Compliance	Certifications	CE, FCC, LVD, RoHS
	Protection	IP 66 on front panel
Material		Main Unit: Die-Cast Aluminum; I/O Cover:Plastic
Color		Main Unit: Space Gray / Black, Space Gray / White (POS)
Dimension (W x H x D mm)		365.89 x 354.48 x 196.55 (15") / 396.93 x 381.85 x 203.06 (17") mm
Environmental Condition	Operating	0°C ~ 40°C, 10% ~ 90% RH, non-condensing
	Storage	-20°C ~ 60°C, 10% ~ 90% RH, non-condensing

Model Name	• VariPOS 250i / 270i	
Optional Accessories	2nd Display	10.1" Resolution 1280 x 800 (16:10 wide screen) USB Type, with or without True-flat P-cap 10 point Multi-touch
	VESA Bracket	Supports Display M series
	LCM	2x20 USB Type
	MSR	ISO 3-Tracks Slim MSR, USB Type
	iButton	Dallas Key Reader, USB Type
	RFID	13.56Mhz, USB Type
	Fingerprint	DigitalPersona, USB Type
	Scanner	2D scanner, USB Type
Carton	L 460 x W 300 x H 510 mm (15") / L 495 x W 315 x H 550 mm (17")	

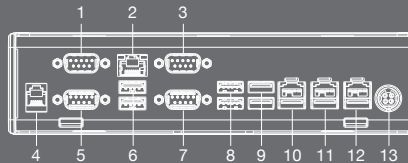
* The right has been reserved to change the specification without prior notice.

Dimensions



VariLO I/O Box

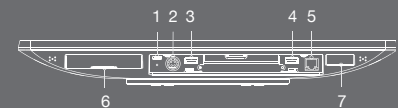
(PE18)



- | | | |
|----------------|--------------|--------------|
| 1. COM 5 | 6. USB | 11. PUSB 12V |
| 2. LAN | 7. COM 6 | 12. PUSB 24V |
| 3. COM 7 | 8. USB | 13. DC 19V |
| 4. Cash Drawer | 9. USB | |
| 5. COM 4 | 10. PUSB 12V | |

Panel PC IO Interface

(PE17)



- | | |
|------------|-------------|
| 1. TYPE C | 5. LAN |
| 2. DC 19V | 6. 2.5" HDD |
| 3. USB 3.0 | 7. POWER |
| 4. USB3.0 | |



Poindus Systems Corp. Headquarters | www.poindus.com

5F, No.59, Ln. 77, Xing-Ai Rd., Neihu Dist., Taipei City 114, Taiwan. R.O.C

☎ + 886 27721 4688

📠 + 886 27721 2289

✉ sales@poindus.com

Germany

ADASYS GmbH Elektronische Komponenten
Max-Planck-Str. 10 70806 Kornwestheim

☎ + 49 7154 83000

📠 + 49 7154 8300 599

✉ info@adasys.de

UK

3 Devonshire Business Park, Basingstoke,
Hampshire, RG21 6XN, UK

☎ +44 (0)1256 331 336

✉ puk@poindus.com

Spain/Portugal

C/ Los Sueños 14, Polígono Industrial Santa Cruz
29004 Málaga-Spain

☎ +34 956 108 777

✉ info@poindus.es