

PT51



15" PCAP Touchscreen

- / Support Intel Celeron J6412 Processor.
- / 15" PCAP Touchscreen.
- / IP54 Water and Dust Resistant Front Panel.
- / VESA Mount Compliant.
- / 3 Track MSR, Customer display and 2nd display monitor Available.



15" True-Flat PCAP Touch

Front IP54

3-Track MSR



Adjustable Customer Display

Wide Range of Tilt Angle (0~90°)

Advanced Cable Management



2nd Display

Aluminum Die-casting stand with plastic cover



VESA Mount

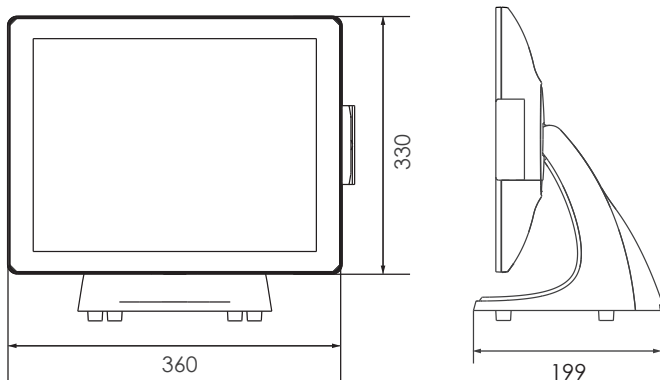
Space for Power Adapter built-in

Poindus
COMPAL GROUP

Specifications

		PT51
System	Motherboard	PE24
	Processor	Intel® Celeron® Processor J6412
	Graphic	CPU Intergrated
	System Memory	1 x SO-DIMM DDR4 slot, 8GB RAM as standard. Max. memory support up to 16GB
	Storage Device	1 x 128 GB SSD (M.2)
LCD Touch Panel	LCD Size	15" TFT LCD
	Brightness	300 nits
	Resolution	1024 x 768
	Touch Screen	True-Flat PCAP Multi-touch
External I/O Ports	USB	3 x USB 2.0, 3 x USB 3.1
	COM Port	3x COM (COM1/2: RJ48 support DC+0/5/12v by BIOS setting, default setting is 0v. COM3: DB-9)
	LAN	1 x Gigabit Ethernet by RJ-45
	Cash Drawer	1 x RJ-11 (Support DC +12V or +24V (default)) port supports 2 cash drawers
	VGA	1 x DB-15 VGA port Power enable by BIOS setting (default disable)
	DC Jack	1 x miniDIN 4P (DC+19V only)
	Type-C	1 x Type C (PD + DP)
	Power Button	1
Audio	Internal Speaker	2 x 2w (Option)
Indicator	LED Indicator	1 for Power LED
Power	Power Adapter	DC+19V, 65watt adaptor
	MSR	3-Track MSR, USB Type
	iButton	USB Type
	Customer Display	LCM display 2 x 20 characters, USB Type
	2nd Display	15.1" / 300 nits / 1024 x 768, VGA Type 11.6" / 250 nits / 1366 x 768, VGA Type
	RFID	USB Type
	Fingerprint	USB Type
Mounting (Option)		VESA Mount 75 x 75 / 100 x 100
Certificate	EMC & Safety	CE, FCC, LVD, RoHS
	Operating Temperature	0°C ~ 35°C (32°F ~ 95°F)
Environment	Storage Temperature	-20°C ~ 60°C (-4°F ~ 140°F)
	Humidity	20% ~ 80% RH non-condensing
Dimensions (WxDxH)		360 x 199 x 330 mm
Weight		5.35 kgs
OS Supported		Windows10 (64bit) / Windows 11 (64bit) / Linux

Dimensions



Panel IO (PE24)

