



PRODUCTION SERVICE AND INNOVATION



POLES STAND SOLUTION
FOR AUTOMATIC SANITIZER

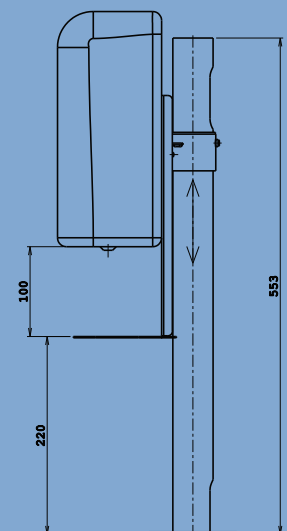
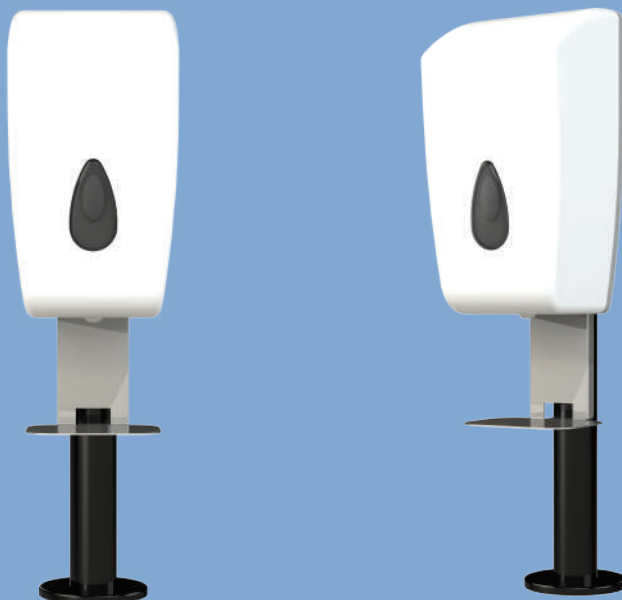




DESK STAND AUTOMATIC SANITIZER

Simple desk stand included automatic touchless hands gel dispenser for hands sanitizer.
Easy Installation on a desk without screws.

Dimension	85L x 145D x 55H (mm) / Adjustable height of the sanitizer
Sensory type	Infrared ray
Sensor distance	10(+/-2) cm
Capacity	1000ml
Power Supply	4 Alkaline "C" Cell batteries (not included), Battery life 30.000 drops
GEL refill	Easy refill from the top
Material	Metal, INOX 306, ABS
Mounting	4 Screws (ISO 7050 4.2 x 16) or Adhesive 3M VHB 5952 (load supported by 3.23 cm ² of product 1500 g)





STAND AUTOMATIC SANITIZER

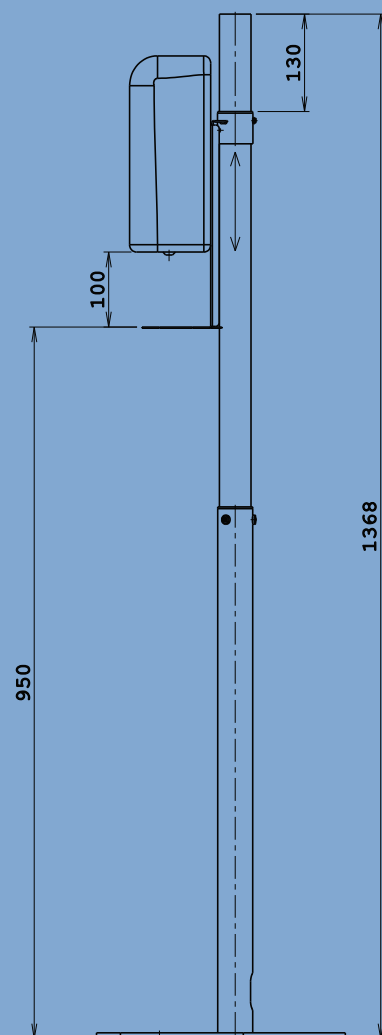
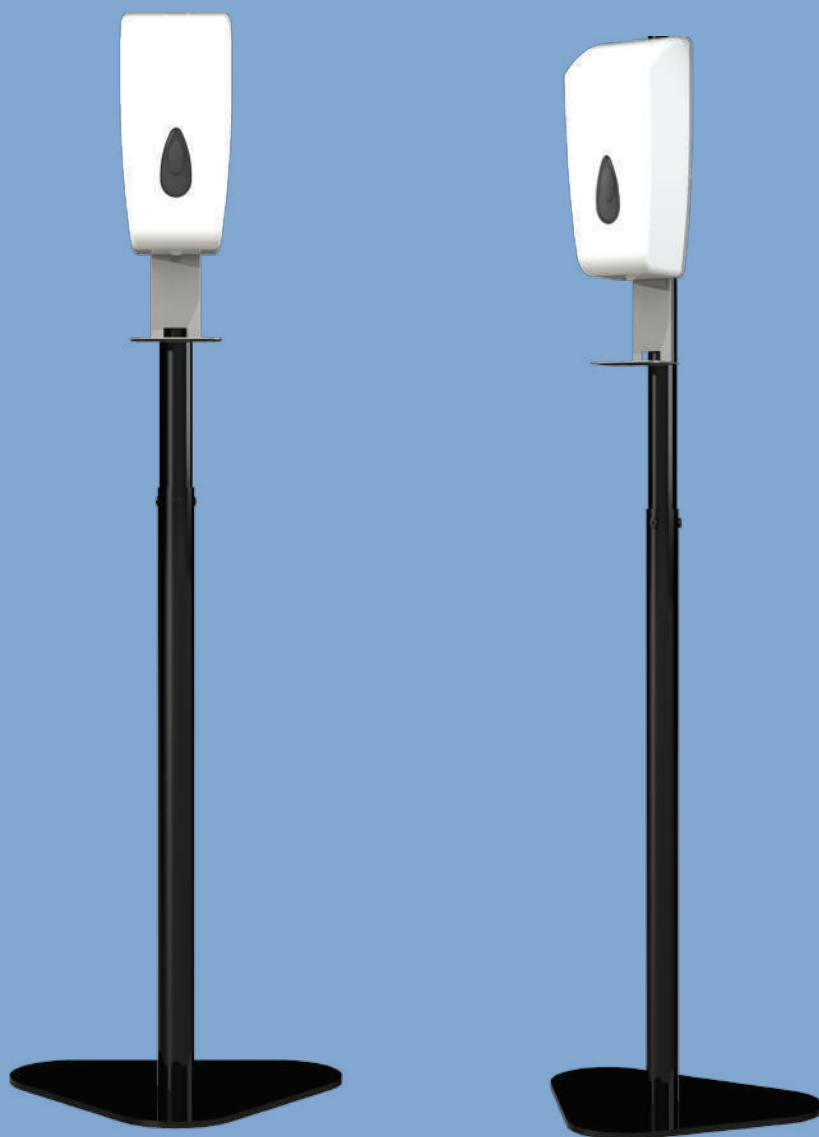
Floor stand for automatic hand-sanitizer. Easy to be adjusted to the appropriate height. Ideal for high-traffic areas such as lobbies, restaurants, shops, schools, universities and hospitals.

Dimension 85L x 145D x 1360H (mm) / Adjustable height of the sanitizer

Installation Wall Base Installation

Material Metal, INOX 306, ABS

Specification Automatic Hand Sanitizer please refer page 2.





DIGITAL STAND AUTOMATIC SANITIZER & VESA 75/100 (ACCESSORY)

Stand with VESA mounted on top which allow to install any device that can entertain your customer

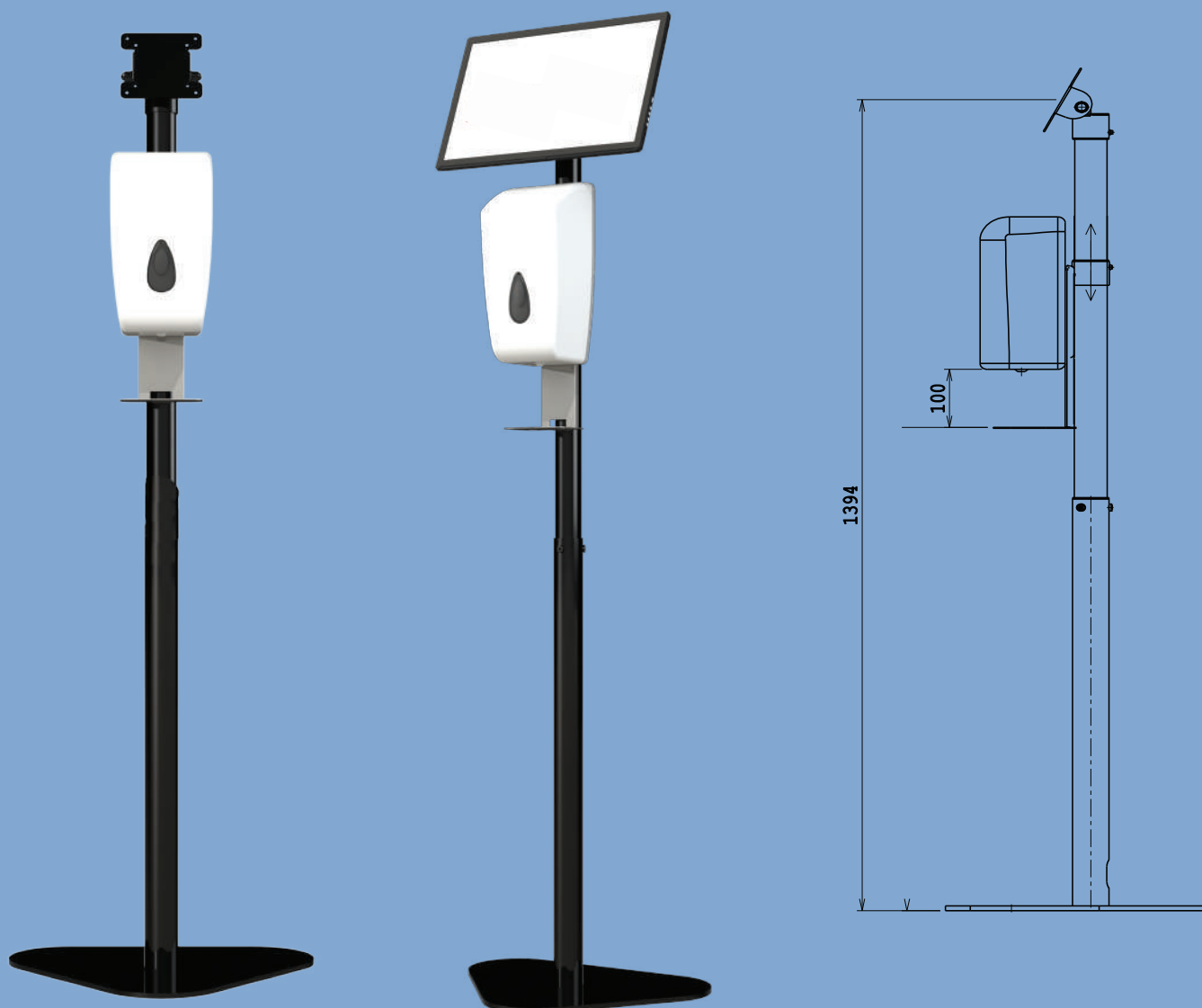
Dimension	85L x 145D x 1360H (mm) / Adjustable height of the sanitizer
-----------	--

Installation	Wall Base Installation
--------------	------------------------

Material	Metal, INOX 306, ABS
----------	----------------------

VESA 75/100 on TOP	Adjustable tilt, Cable management inside the pole.
--------------------	--

Specification Automatic Hand Sanitizer please refer page 2.



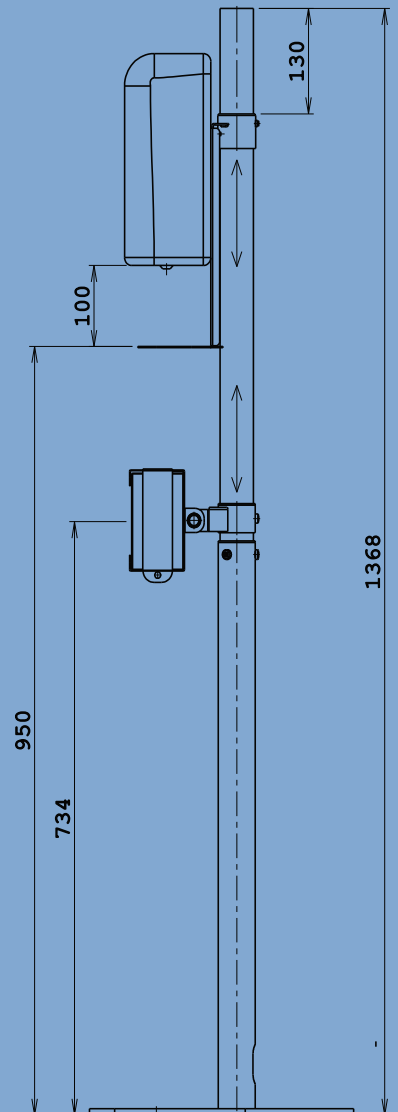


STAND AUTOMATIC SANITIZER & GLOVES HOLDER (ACCESSORY)

Gloves box holder toto have everything you need conveniently organized

Dimension	85L x 145D x 1360H (mm) / Adjustable height of the sanitizer
Installation	Wall Base Installation
Material	Metal, INOX 306, ABS
Gloves box holder	150 x 250 x 93 (mm)

Specification Automatic Hand Sanitizer please refer page 2.





ALREADY HAVE A FREE STANDING COMMERCIAL DISPENSER?

This stand is the perfect addition to your freestanding hand sanitizer dispenser. Adding your dispenser to a pole allows you to move it to a convenient place for your customers.

SNS-P#55SG	85L x 145D x 55H (mm) / Adjustable height of the sanitizer
SNS-P#1368SG	85L x 145D x 1368H (mm) / Adjustable height of the sanitizer
SNS-P#1368SG+V+G	85L x 145D x 1368H (mm) / Adjustable height of the sanitizer



SNS-P#55G



SNS-P#1368SG



SNS-P#1368SG+V+G

