

Poindus
COMPAL GROUP

VariPOS

Witness the Boundless Future

256 A



reddot winner 2021



Features

Ultra-Slim Bezel Design for Modern Retail

Experience ultra-slim bezel design (4.8mm), with elegant and stylish appearance. Deliver a seamless viewing experience eliminating surrounding distractions.



15.6" True Flat Touch

Full HD Display with Virtually Borderless Widescreen

Deliver a clear, crisp and vivid High Definition picture which is perfect for highly complex and image-intensive retail applications.



Full HD 1920 x 1080

VarilO I/O Box Higher Scalability

Connect a single high-speed USB Type C to all peripherals which can both reduce service requirements and maximize uptime.



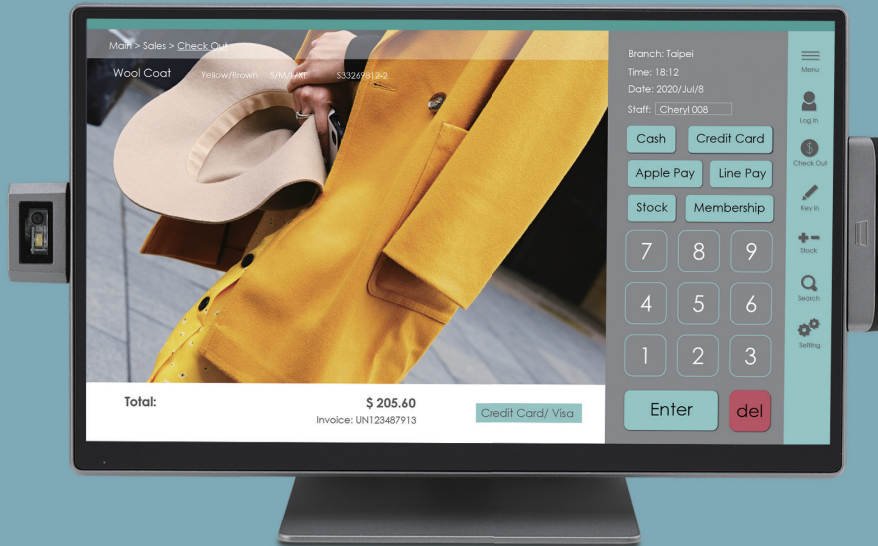
Easier to Operate, Better to Serve

Dual hinged stand developed for wide angled flexibility, giving users an excellent viewpoint for a high degree of comfort and efficiency.



Higher Compatibility, Less Investment

VariPOS 2 Series uses common peripherals.
Cross compatibility reduces peripheral inventory
and lowers the total cost of ownership (TCO).



2nd Display



LCM



iButton



RFID



Fingerprint



MSR



Scanner

Ordering Information

VariPOS 256A (Optional VariIO I/O Box-PE19)

PE24

- Celeron J6412 | Intel® Elkhart Lake Celeron®J6412 2.60GHz CPU

PE26

- i5-1235U | Intel® Alder Lake-P Platform i5-1235U 1.3GHz up to 4.4 GHz
- i3-1215U | Intel® Alder Lake-P Platform i3-1215U 1.2GHz up to 4.4GHz



Multi-touch Screen



Dual Hinged Stand



Quick & Easy Maintenance



Extendable VariIO I/O Box
Custom Type C connector



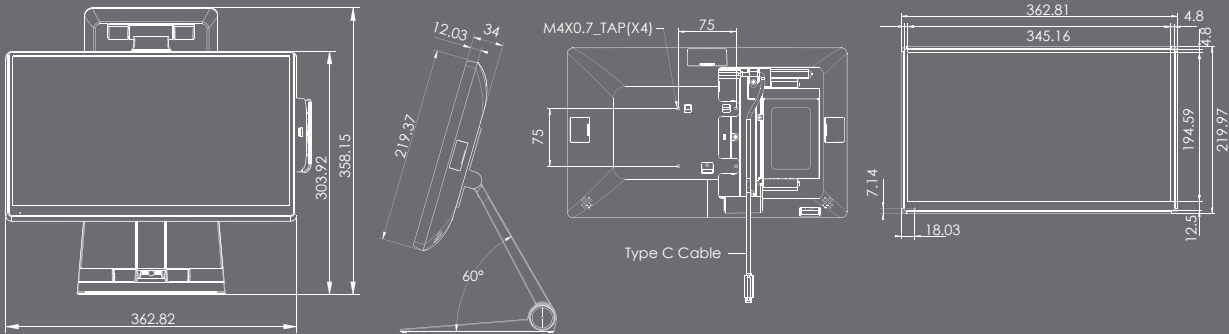
Specification

Model Name		• VariPOS 256A (PE24)	• VariPOS 256A (PE26)
Main Board	Processor	Intel® Celeron® J6412	Intel® Alder Lake-P Platform i5-1235U Intel® Alder Lake-P Platform i3-1215U
	Chipset	CPU Integrated	
	System Memory	1 x SO-DIMM DDR4 slot, 4GB RAM as standard. Max. memory support up to 16 GB.	1 x 8GB DDR5 SO-DIMM memory (Max. support up to 32GB)
	TPM	Intel F/W	
	Intel AMT	N/A	i5 only
Display & Touch	LCD Size	15.6" 16:9 TFT LCD (LED backlight)	
	Bezel	Slim-Edge 4.8mm Bezel Design	
	Brightness	350 nits	
	Resolution	1920 x 1080 Full HD	
	Touch	True Flat Projected Capacitive Technology	
Storage	HDD/SSD	1 x SATA III (2.5") or M.2 Storage (Option)	
Panel I/O	LAN Port	1 x Gigabit Ethernet by RJ-45	
	USB Port	3 x USB 2.0, 3 x USB 3.1	
	Speaker	HD Audio, 2W Speaker x 2	
	Power Switch	1 x power on/off button	
	COM Port	2 x RJ48 (Support DC+0/5/12v by BIOS setting, default setting is 0v)	
	Cash Drawer	1 x RJ11 (Support DC+12v or +24v (default)) port supports 2 cash drawers	
	DC Input	1 x Mini Din 4P (DC+19v only)	
	Type C	1 x Type C (PD+DP)	
VariIO I/O Box & Expansion (Optional)	Cash Drawer	1 x RJ-11 (Support DC +12V or +24V (default)) port supports 2 cash drawers	
	LAN Port	1 x Gigabit Ethernet by RJ-45	
	USB Port	2 x USB 3.0; 4 x USB 2.0	
	Powered USB Port (Project Based)	2 x DC+12v Powered USB 1 x DC+24v Powered USB	
	COM Port	4 x RS-232 (jumper setting, support DC+0/5/12v, default setting is 0v)	
	Type C	1 x Type C	
OS Support	Windows 10 (64bit) / Windows 11 (64bit) / Linux		
Power Adapter (External adapter)	Voltage:+19VDC, Std. 65 watt *PUSB will use 180 watt adapter		Voltage:+19VDC, Std. 90 watt *PUSB will use 180 watt adapter
Compliance	Certifications	CE, FCC, LVD , RoHS	
Material	Main Unit: Die-Cast Aluminum		
Color	Main Unit: Space Gray / Black		
Dimension (W x H x D mm)	362.8 x 304 x 175.3		
Environmental Condition	Operating	0°C ~ 40°C, 10% ~ 90% RH, non-condensing	
	Storage	-20°C ~ 60°C, 10% ~ 90% RH, non-condensing	

Model Name	• VariPOS 256A (PE24)	• VariPOS 256A (PE26)
Optional Accessories	MSR	ISO 3-Tracks Slim MSR USB Type
	iButton	Dallas Key Reader, USB Type
	RFID	13.56Mhz USB Type
	Fingerprint	Digital Persona U.are.U 4500 Module USB Type
	Scanner	2D scanner, USB Type
	2nd Display	10.1" Resolution 1280 x 800 (16:10 wide screen) USB Type, with or without True-flat P-cap 10 point Multi-touch
	LCM	2x20 USB Type

* The right has been reserved to change the specification without prior notice.

Dimensions



Panel PC IO Interface

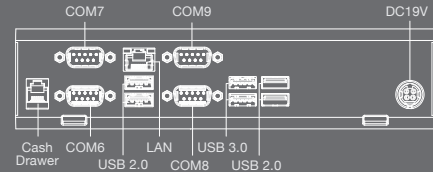
VariPOS 256A (Elkhart Lake-PE24 / Alder Lake-PE26)



- DC 19V
- USB 3.1
- USB Type C
- USB 2.0
- USB 2.0
- USB 2.0
- COM 1
- COM 2
- Cash Drawer
- USB 3.1
- USB 3.1
- LAN

VariIO I/O Box

(PE19)





Poindus Systems Corp. Headquarters | www.poindus.com

5F, No.59, Ln. 77, Xing-Ai Rd., Neihu Dist., Taipei City 114, Taiwan. R.O.C

☎ + 886 27721 4688

📠 + 886 27721 2289

✉ sales@poindus.com

Germany

ADASYS GmbH Elektronische Komponenten
Max-Planck-Str. 10 70806 Kornwestheim

☎ + 49 7154 83000

📠 + 49 7154 8300 599

✉ info@adasys.de

UK

3 Devonshire Business Park, Basingstoke,
Hampshire, RG21 6XN, UK

☎ +44 (0)1256 331 336

✉ puk@poindus.com

Spain/Portugal

C/ Los Sueños 14, Polígono Industrial Santa Cruz
29004 Málaga-Spain

☎ +34 956 108 777

✉ info@poindus.es